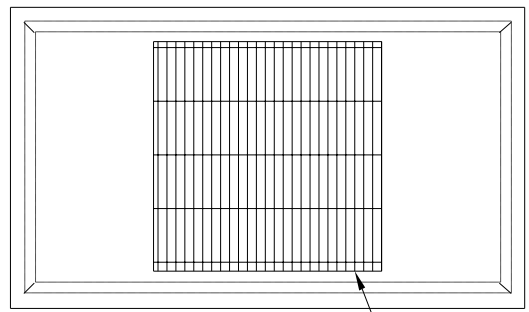
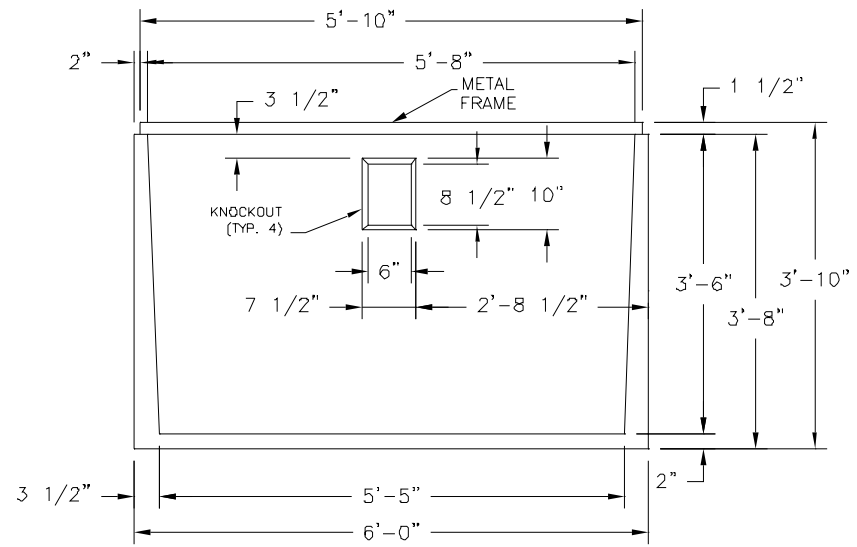


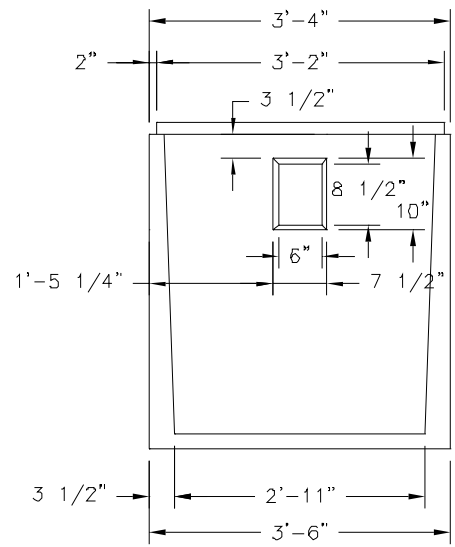
TOP VIEW (OPTION)



30" X 30" CAST IRON GRATE IN STEEL FRAME



FRONT VIEW



SIDE VIEW

GENERAL NOTES:

1. CONCRETE: 4500 PSI @ 28 DAYS
2. REINFORCING SHALL MEET OR EXCEED THE REQUIREMENTS OF ASTM A-615M, GRADE 60.
3. REINFORCING SHALL BE SET AND TIED, ALL CONCRETE SHALL BE PLACED, FINISHED, AND CURED PER ACI 318-83 SPECIFICATIONS AND PER ALL SAFETY PROVISIONS OF OSHA.

CAR WASH SUMPS

WALLIS CONCRETE, INC.  
 P.O. BOX 789  
 WALLIS, TEXAS 77485  
 PHONE: (800) 852-7880  
 FAX: (979) 478-6753