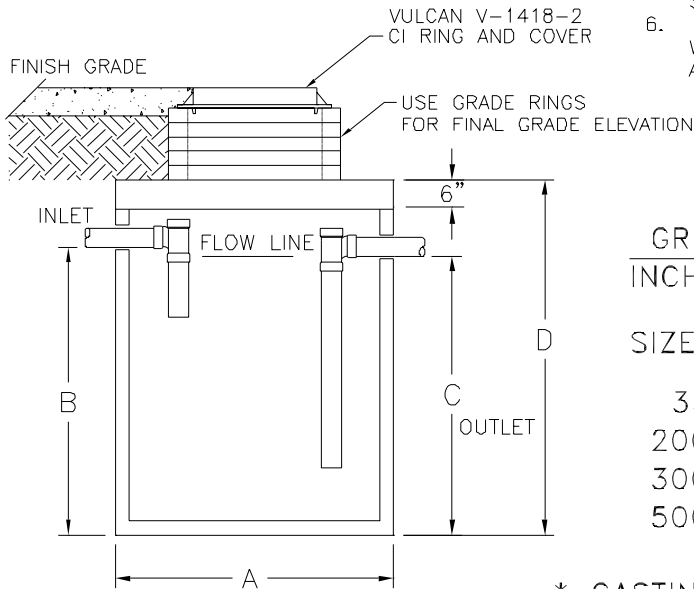


PLAN VIEW



GENERAL NOTES:

1. ALL CONCRETE SHALL HAVE A MIX DESIGN OF 5000 PSI WITH A MINIMUM OF 5 SACKS OF STANDARD TYPE 1 CEMENT.
2. ALL REINFORCING BARS SHALL BE CLEAN, NEW AND FREE OF DIRT, RUST, OR OIL AND SHALL MEET OR EXCEED THE REQUIREMENTS OF ASTM A-615M, GRADE 60.
3. WELDED WIRE FABRIC SHALL BE CLEAN, NEW AND FREE OF DIRT, RUST, OR OIL AND SHALL MEET OR EXCEED THE REQUIREMENTS OF ASTM A-185.
4. LAP REBARS AT ALL SPLICES A MINIMUM OF 36 BAR DIAMETERS.
5. ALL REINFORCING SHALL BE SET AND TIED, ALL CONCRETE SHALL BE PLACED, FINISHED, AND CURED PER ACI 318-83 SPECIFICATIONS AND PER ALL SAFETY PROVISIONS OF OSHA.
6. MANUFACTURER RESERVES THE RIGHT TO MAKE CHANGES WHENEVER NECESSARY. PROVIDING THE CHANGES DO NOT AFFECT THE PERFORMANCE OF THE INTERCEPTOR.

GREASE INTERCEPTOR DIMENSIONS
INCHES

SIZE OF INTERCEPTOR	A	B	C	D
35 GALLONS	28"	26"		35"
200 GALLONS	39"	40"	37"	53"
300 GALLONS	52"	40"	37"	53"
500 GALLONS	57"	61"	58"	74"

* CASTING WILL ADD 5" TO YOUR TOTAL HEIGHT

GREASE INTERCEPTORS

PHONE: (800) 852-7880
FAX: (979) 478-6753

P.O. BOX 789
WALLIS, TEXAS 77485

WALLIS CONCRETE, INC.