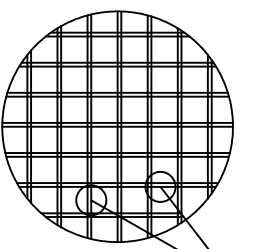


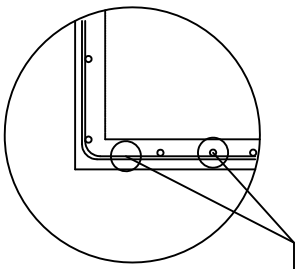
PLAN VIEW

Middle Riser only required if distance between two risers is greater than 12'



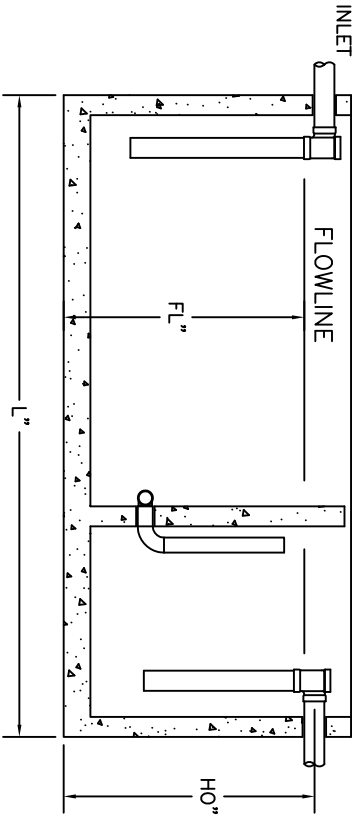
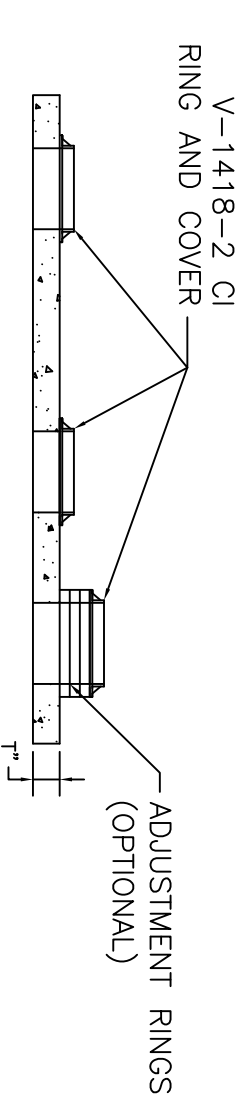
LID DETAIL REINFORCING

NO. 4 BAR ON 8" CENTER TO CENTER



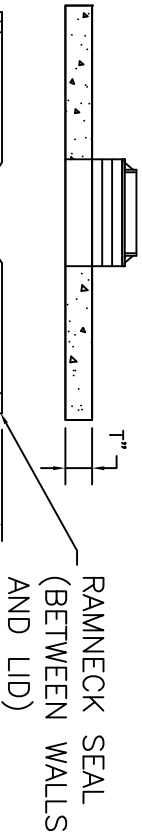
WALL AND FLOOR REINFORCING DETAIL

NO. 4 BAR ON 12" CENTER TO CENTER

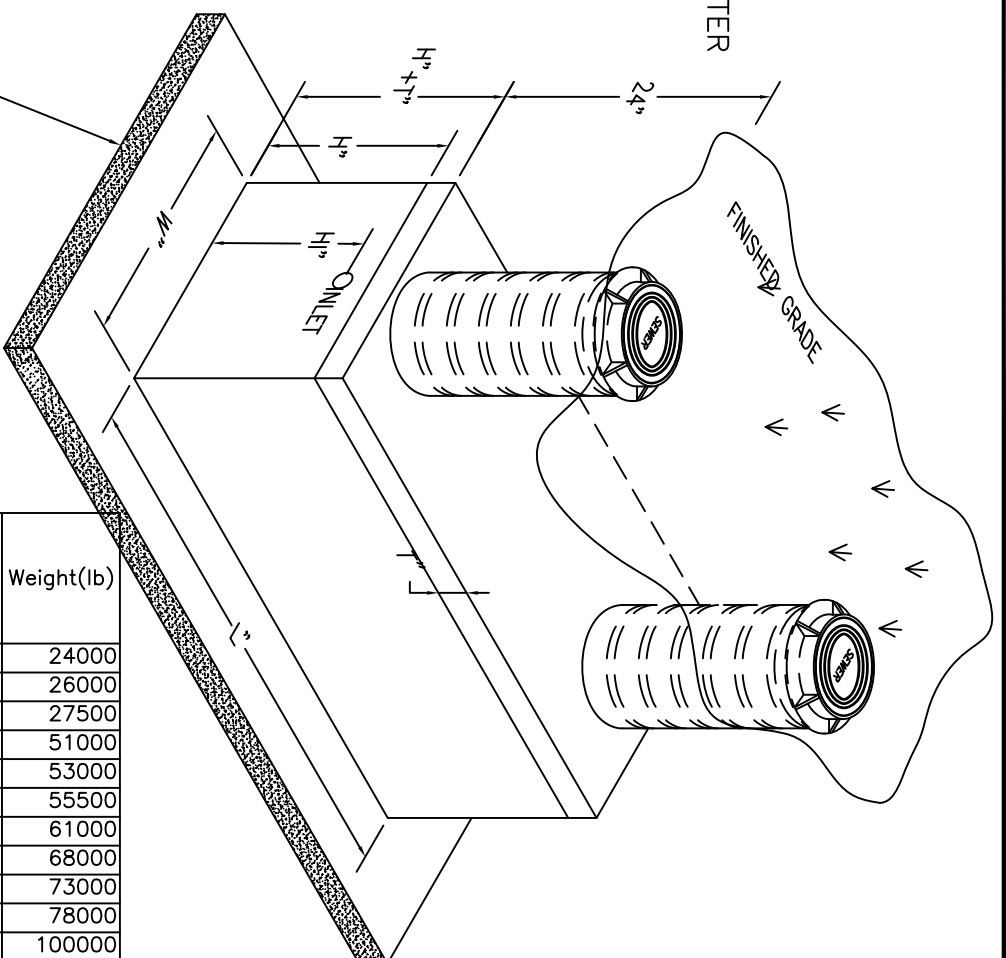


SIDE ELEVATION

END ELEVATION



6" OF SELECT FILL PLACED AND COMPACTED UNDER INTERCEPTOR



- GENERAL NOTES:**
1. ALL CONCRETE SHALL HAVE A MIX DESIGN OF 5000 PSI WITH A MINIMUM OF 5 SACKS OF STANDARD TYPE 1 CEMENT.
 2. ALL REINFORCING REBARS SHALL BE CLEAN, NEW AND FREE OF DIRT, RUST, OR OIL AND SHALL MEET OR EXCEED THE REQUIREMENTS OF ASTM A-615 GRADE 60.
 3. WELDED WIRE FABRIC SHALL BE CLEAN, NEW AND FREE OF DIRT, RUST, OR OIL AND SHALL MEET OR EXCEED THE REQUIREMENTS OF ASTM A-185.
 4. ALL REINFORCING SHALL BE SET AND TIED, ALL CONCRETE SHALL BE PLACED, FINISHED, AND CURED PER ACI 318-83 SPECIFICATIONS AND PER ALL SAFETY PROVISIONS OF OSHA.
 5. LAP REBARS AT ALL SPLICES A MINIMUM OF 36 BAR DIAMETERS.
 6. WALL AND BOTTOM REINFORCING SHALL BE A MINIMUM OF NO. 4 BAR ON 12" CENTER TO CENTER ON BOTH VERTICAL AND HORIZONTAL PLACEMENT.
 7. LID REINFORCING SHALL BE A MINIMUM OF NO. 4 BAR ON 8" CENTER TO CENTER.
 8. ALL REBAR SHALL BE A MINIMUM OF 2" FROM EITHER THE INSIDE OR OUTSIDE SURFACES.
 9. WHENEVER A PENETRATION IS MADE INTO THE WALL, BOTTOM, OR TOP, THE DISPLACED REBARS SHALL BE DOUBLED AND PLACED ON ALL SIDES OF THE OPENING.
 10. RISER WEIGHT ARE NOT INCLUDED IN THE ABOVE WEIGHTS.

Grease Interceptor Size (Gallons)	L(in)	H(in)	W(in)	HI(in)	HO(in)	T(in)	A1(in)	A2(in)	FL(in)	Weight(lb)
2000	168	64	80	51	48	6	102	54	46	24000
2500	168	74	80	61	58	6	102	54	56	26000
3000	168	84	80	71	68	6	102	54	66	27500
4000	192	88	96	76	73	8	120	54	70	51000
4500	192	94	96	84	81	8	120	54	78	53000
5000	192	102	96	92	89	8	120	54	86	55500
6000	192	118	96	108	105	8	120	54	102	61000
7000	216	122	96	112	109	8	132	66	106	68000
8000	216	136	96	126	123	8	132	66	120	73000
9000	216	142	96	132	129	8	132	66	126	78000
10000	270	96	144	86	83	8	168	84	80	100000

*Contact for other sizes