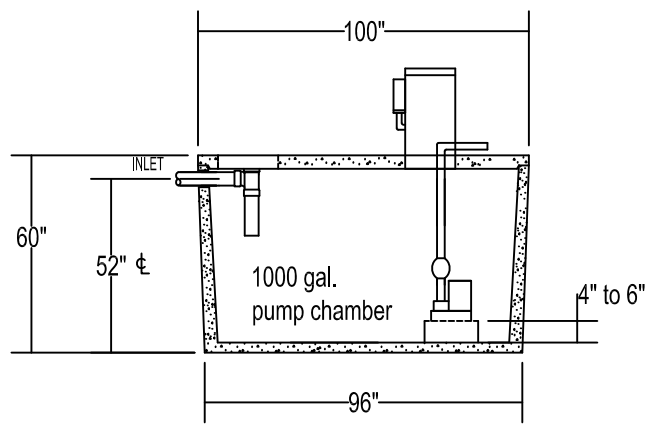
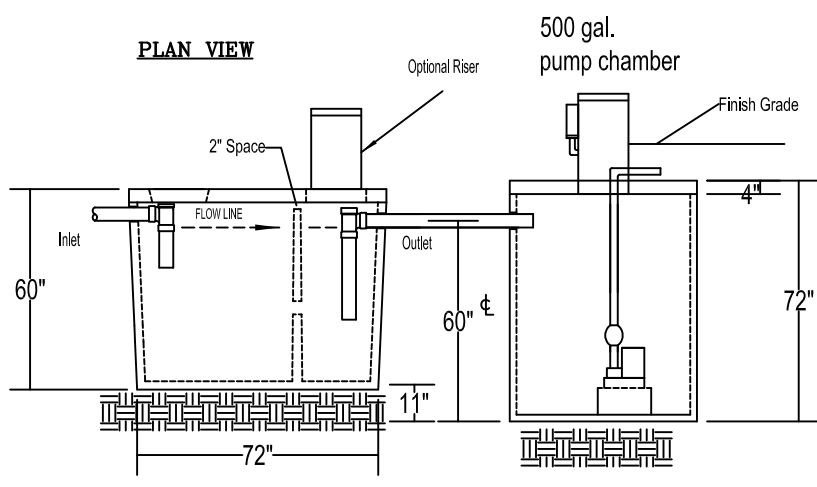
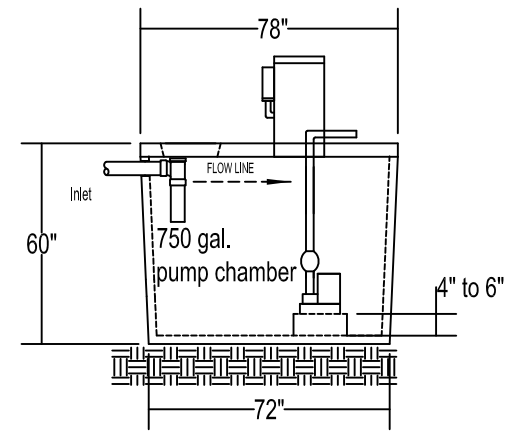
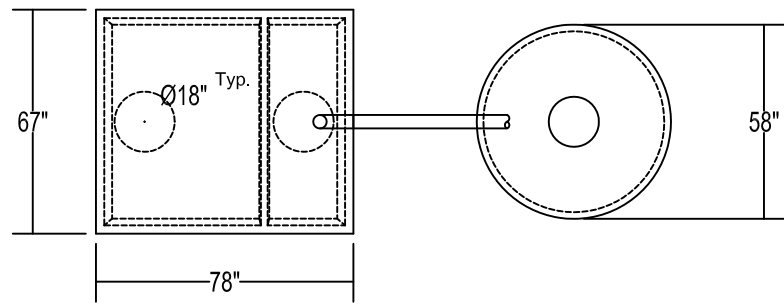
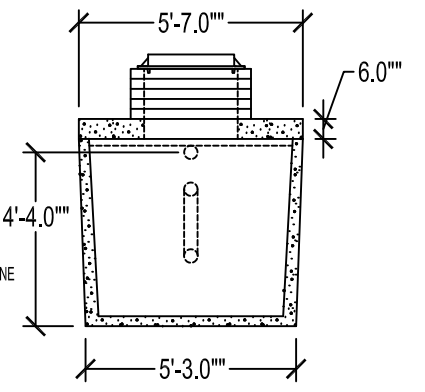
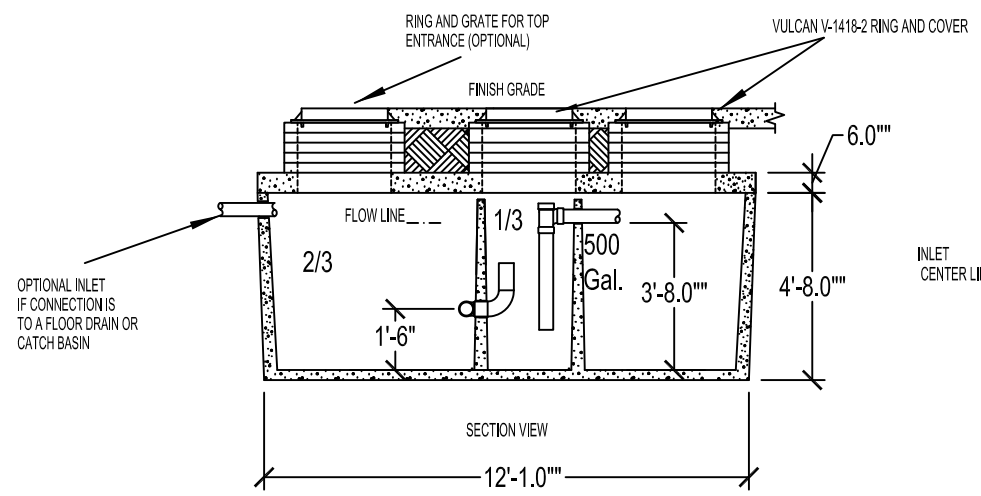


- GENERAL NOTES:
1. ALL CONCRETE SHALL HAVE A MIX DESIGN OF 5000 PSI WITH A MINIMUM OF 5 SACKS OF STANDARD TYPE 1 CEMENT.
 2. ALL REINFORCING BARS SHALL BE CLEAN, NEW AND FREE OF DIRT, RUST, OR OIL AND SHALL MEET OR EXCEED THE REQUIREMENTS OF ASTM A-615M, GRADE 60.
 3. WELDED WIRE FABRIC SHALL BE CLEAN, NEW AND FREE OF DIRT, RUST, OR OIL AND SHALL MEET OR EXCEED THE REQUIREMENTS OF ASTM A-185.
 4. LAP REBARS AT ALL SPLICES A MINIMUM OF 36 BAR DIAMETERS.
 5. ALL REINFORCING SHALL BE SET AND TIED, ALL CONCRETE SHALL BE PLACED, FINISHED, AND CURED PER ACI 318-83 SPECIFICATIONS AND PER ALL SAFETY PROVISIONS OF OSHA.
 6. WALL AND BTM. REINFORCING SHALL BE NO. 4 BAR ON 12" CENTERS TO CENTER.
 7. TOP REINFORCING SHALL BE NO. 5 BAR ON 8" CENTER TO CENTER SPACED 2" FROM BTM SURFACE.



Compacted select fill to level bottom of excavation.

SECTION VIEW

SECTION VIEW

Round Pump Chamber Size (Gallons)	D(in)	H(in)	HI(in)	L(in)	Weight(lb)	
500	56	68	63	4	2800	
Rectangle Pump Chamber Size (Gallons)	L(in)	H(in)	W(in)	HI(in)	Lid Depth (in)	Weight(lb)
750	78	56	68	52	4	9100
1000	100	56	68	52	4	11000

*Contact for other sizes

PHONE: (800) 852-7880
FAX: (979) 478-6753

Pump Chambers

WALLIS CONCRETE, LLC.
P.O. BOX 789 • WALLIS, TEXAS 77485