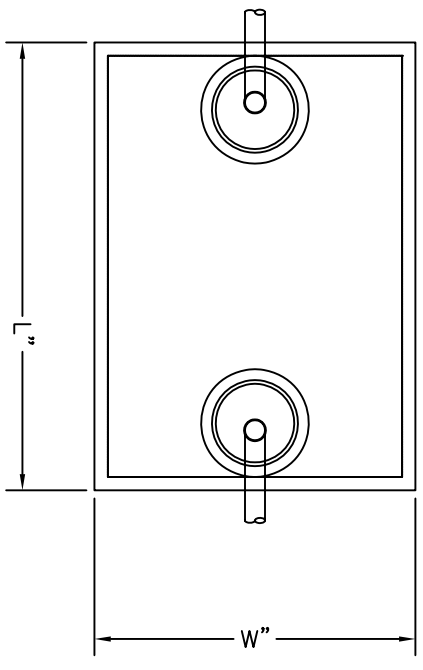
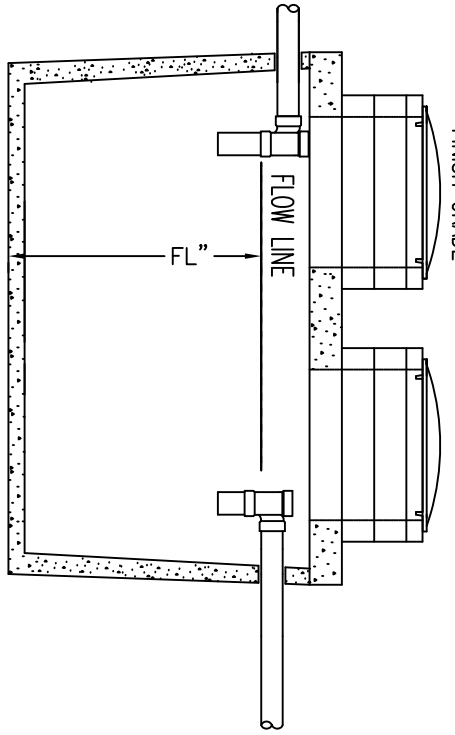


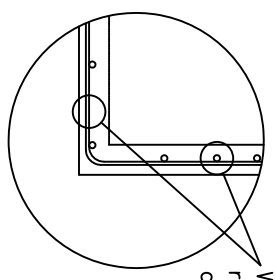
ONE COMPARTMENT TANKS



PLAN VIEW

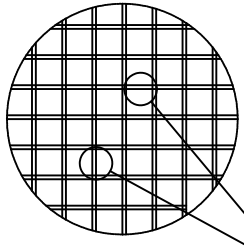


SIDE VIEW



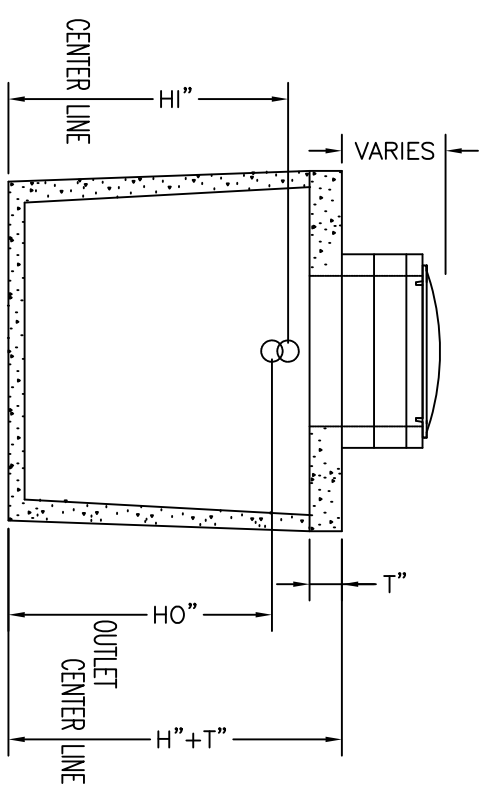
WALL AND FLOOR REINFORCING DETAIL

W4-W4-4/4 Wire Mesh with No. 3 rebar bent 36" by 36" in corners and at wall floor connection-12" C/C



LID DETAIL REINFORCING

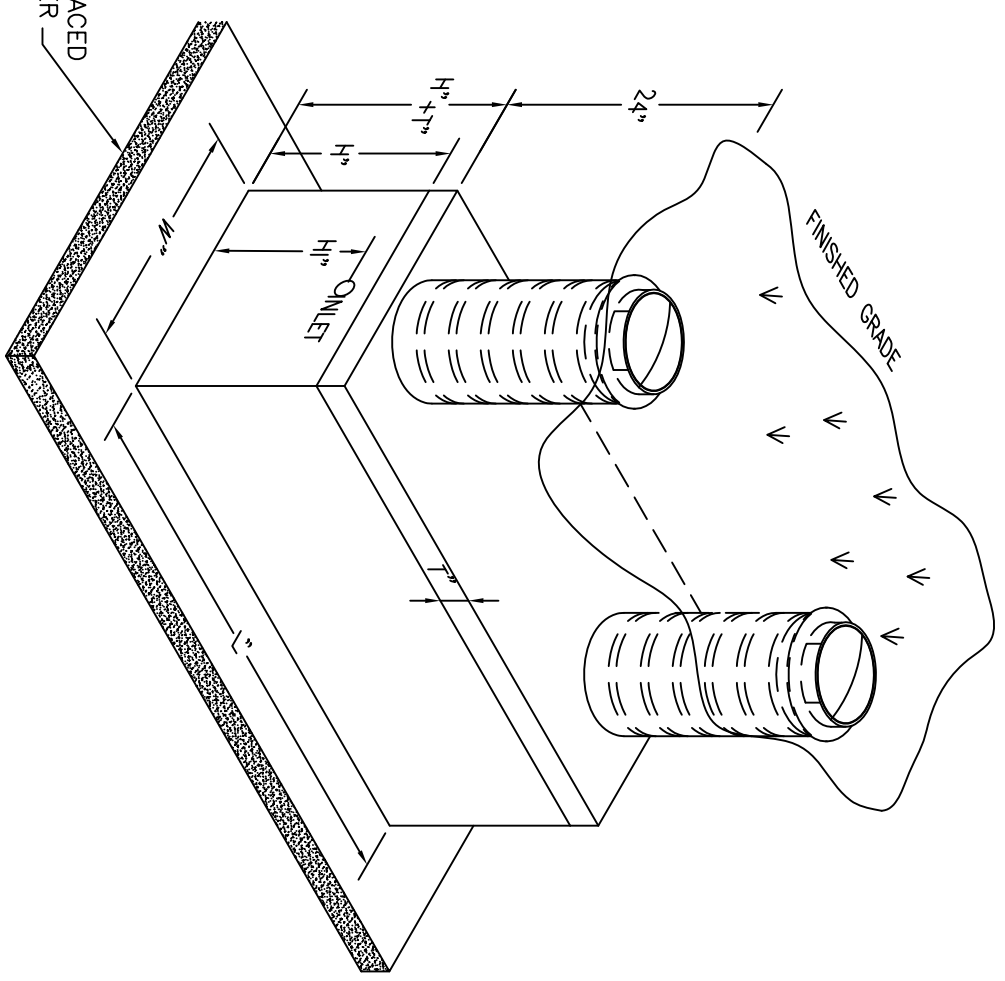
NO. 4 REBAR ON 8" CENTER TO CENTER BOTH WAYS



END VIEW

1. All concrete shall have a mix design of 5,000 PSI compressive strength with a minimum of 5 sacks of standard Type 1 Cement.
2. All reinforcing bars shall be clean, new, and free of dirt, rust, or oil and shall meet or exceed the requirements of ASTM A-615M, grade 60
3. Welded wire fabric shall be clean, new, and free of dirt, rust, or oil and shall meet or exceed the requirements of ASTM A-185.
4. Lap rebars at all splices a minimum of 36 bar diameters.
5. All reinforcing shall be set and tied, all concrete shall be placed, finished, and cured per ACI 318-83 specifications and per all safety provisions of OSHA.
6. Wall and Btm. reinforcing shall be W-1.4 by W 1.4 on 6" centers.
7. Top reinforcing shall be No. 3 bar on 12" center to center spaced 2" from the bottom surface or an equal wire equivalent.
8. Please excavate an additional foot around tank for installation.

6" OF SELECT FILL PLACED AND COMPACTED UNDER INTERCEPTOR



Septic Tank Size (Gallons)	L(in)	H(in)	W(in)	Hl(in)	HO(in)	T(in)	Flowline Height (in)	Weight Without Lid (lb)	Weight with Lid (lb)
500	68	56	52	51	48	4	46	4600	5800
750	78	56	68	52	49	4	47	5600	7450
1000	100	56	68	52	49	4	47	6650	9000
1250	150	46	68	42	39	4	37	9000	12500
1500	150	56	68	52	49	4	47	10250	13800

*Contact for other sizes