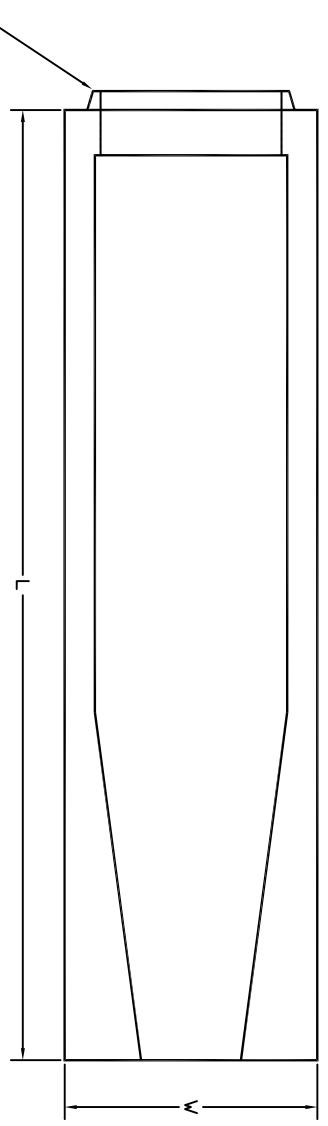


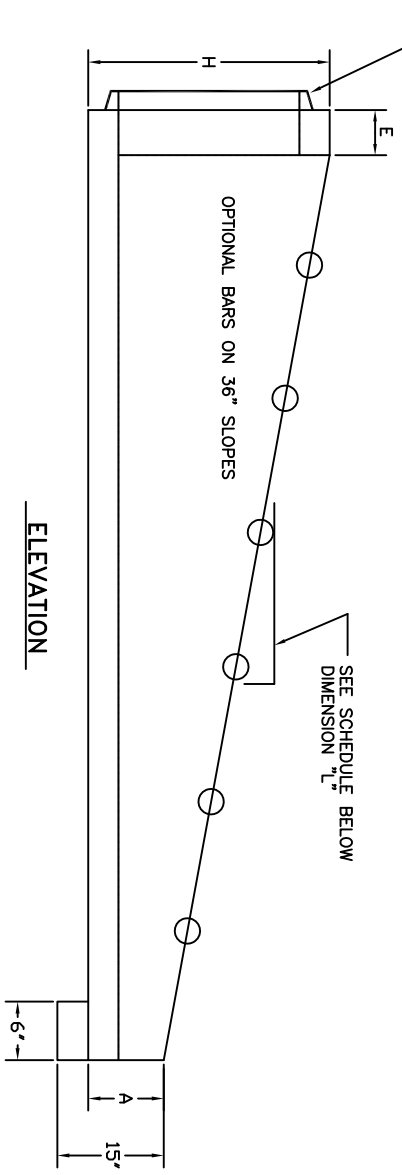
6:1



STANDARD TONGUE OR GROOVE CONNECTION AS REQUIRED

PLAN

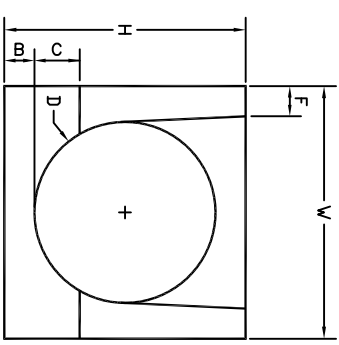
SEE SCHEDULE BELOW
DIMENSION "L"



STANDARD TONGUE OR GROOVE CONNECTION AS REQUIRED

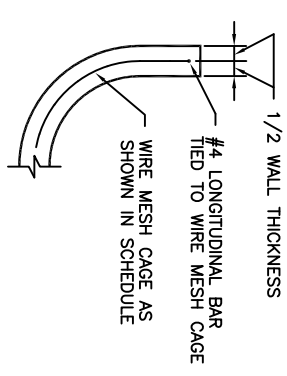
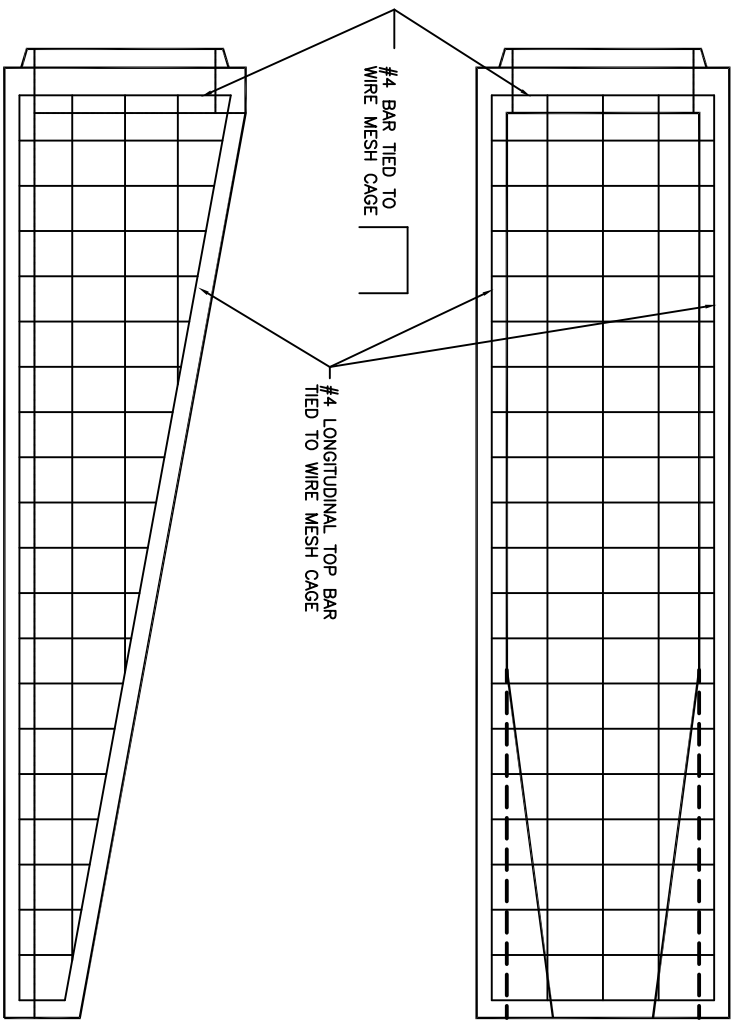
ELEVATION

3:1



RIGHT END

TYPICAL REINFORCEMENT PLACEMENT



TYPICAL REINFORCEMENT PLACEMENT

Contact for additional sizes.

SAFETY END TREATMENT DIMENSIONS

D	L		W	H	A	B	C	E	F
	3:1	6:1							
15"	3'-3"	6'-1"	20 1/2"	20"	8 3/4"	2 3/4"	6"	5"	2 1/4"
18"	4'-6"	8'-0"	24"	23 1/2"	9"	3"	6"	5"	2 1/2"
24"	6'-3"	11'-0"	36"	32"	10"	4"	6"	5"	3 1/2"
36"	N/A	12'-8"	40"	40"	11"	5"	7"	6"	4 1/2"